

LiFe4851

Built for Australian conditions, the LiFe4851 is PowerPlus Energy's first 3RU battery and represents a new generation of safe lithium technology. Designed to UL9540A certification requirements, it supports on-grid and off-grid applications with self-managed operation or direct inverter communication.



Nominal DC Voltage	51.2V
Operational Voltage Window	48.0V to 56.0V
Rated DC Power	5.12kW
Nominal Capacity	5120Wh
Useable Capacity	5120Wh
Recommended Useable Capacity	4608Wh
Depth of Discharge	1
Recommended Depth of Discharge	0.9
Maximum Discharge C-Rate	0.5C (Peak 1.5C, 30s)
Nominal Discharge Current	20A
Maximum Continuous Discharge Current	120A
Maximum Charge C-Rate	0.5C (Peak 1.25C, 30s)
Nominal Charge Current	20A
Maximum Continuous Charge Current	110A
Battery Fault Current	1750A
Circuit Breaker	2-Pole 125A C-Curve
Arc Flash Incident Energy	0.07cal/cm ²
Arc Flash Incident Energy Protection Boundary	10.56cm
Personal Protective Equipment Category	0
Lithium Composition	Lithium Ferro Phosphate (LiFePo ₄)
Operating Temperature Range	-20°C to 60°C
Recommended Maximum Ambient Temperature Range	-10°C to 50°C
Operating Humidity	95% Non-Condensing
BMS Under/Over-Volt Module Level Protection	43.2V to 60.8V
BMS Under/Over-Volt Cell Level Protection	2.7V to 3.8V
BMS Over/Under-Temp Cut Off	-20°C to 60°C discharge, 0°C to 60°C charge
Altitude	<4000m (seek advice from PowerPlus Energy above 4000m)
Battery Mounting Options	Rack Mount, Side Mount
Terminal Connections	DEGSON ESS-150A-35-B/S
IP Rating	IP20
Efficiency	96%
Cooling	Natural Convection
Parallel Connection	Up to 16



UL 1973

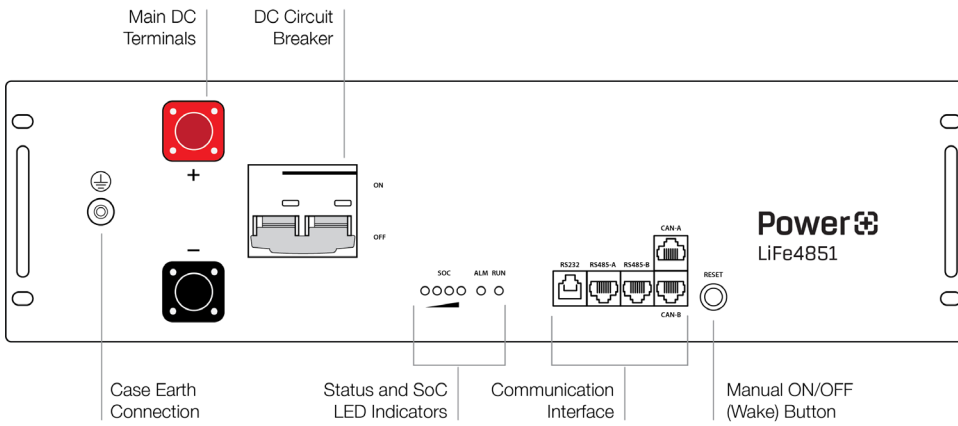


UL 9540A



Specifications correct at time of publication and are subject to change. Refer to website for latest information.

Series Connection	Not Permitted
Alarm Output	CAN/RS485/LED
Communications	CAN/RS485
Module Weight	43.0kg
Battery Dimensions	440mm D x 430mm W x 131mm H
Certifications	UL9450A, UL1973, UN38.3, EMC, RCM, IEC 62619:2017, IEC 61000-6-3:2020, IEC 62368-1:2018
Warranty	10 Years* (Refer to Warranty for T&Cs)



Manufactured in China. Engineered, tested and assured in Australia

Specifications correct at time of publication and are subject to change. Refer to website for latest information.